

## LCF - Combi

# LCF - combi

ALU HPL Madera | ALU HPL bois | ALU HPL timber

protección solar continua | *protection solaire filante* | continuous solarshading

H -0°



PL120 -0°



W -0°



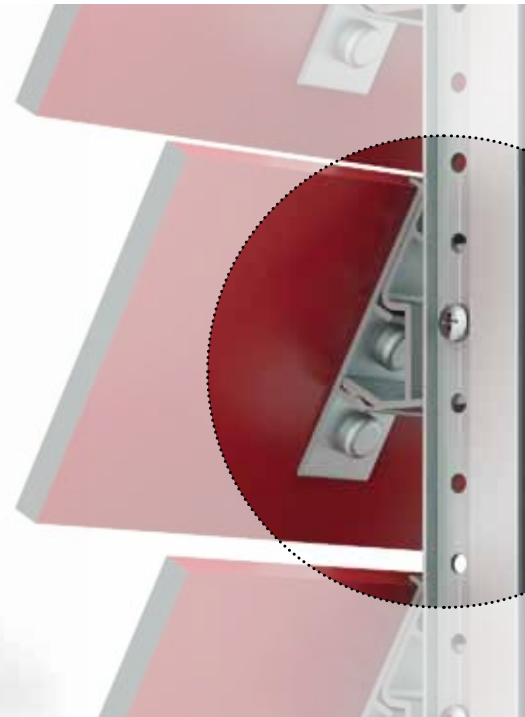
H -60°



PL120 -60°



W -60°



Edificio corporativo | bâtiment corporatif | corporate building  
H120-60°  
Tria Arquitectos  
Madrid



PL120-60°



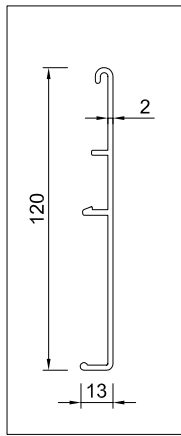
# LCF - combi

ALU HPL Madera | ALU HPL bois | ALU HPL timber

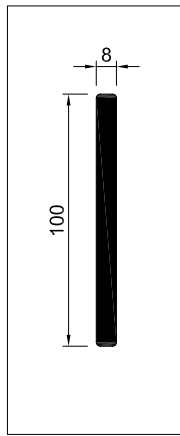
protección solar continua | protection solaire filante | continuous solarshading

laminas | lames | blades

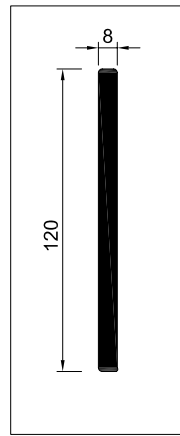
PL120



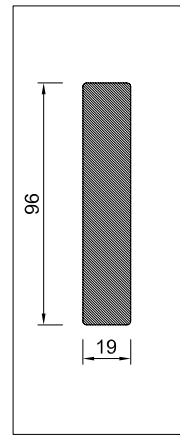
HPL100



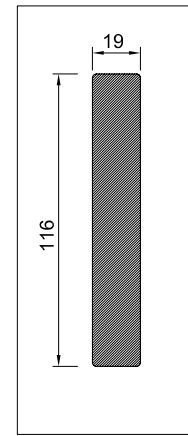
HPL120



W96.19

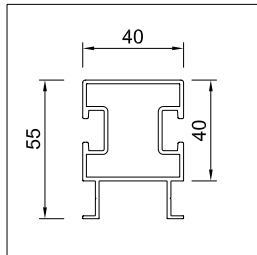


W116.19

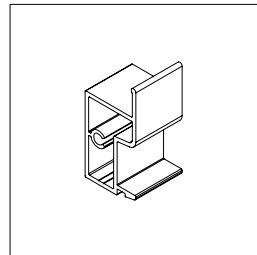


montante & accesorios | montant & accessoires | mullion & accessories

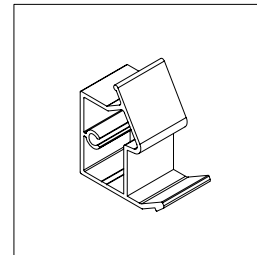
M55.40



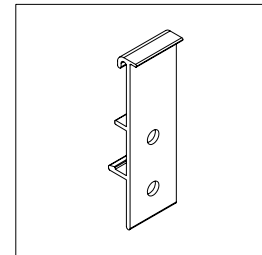
B00



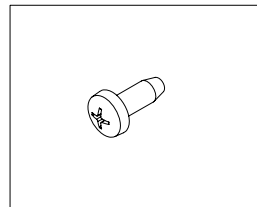
B60



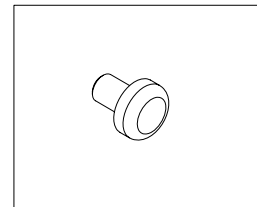
SLC



DIN981.5.13



TFO



lama lame blade	orientación orientation orientation	L max L max L max	A	B	P min	solape chevauchement overlap	material matériel material
			mm	mm	mm		
PL120	0°	1500	70	120	140		●
PL120	60°	1500	120	108	100	✓	●
W96.19	0°	1200	90	96	120		●
W96.19	60°	1200	126	93	80	✓	●
W116.19	0°	1200	90	116	140		●
W116.19	60°	1200	136	110	100	✓	●
H100	0°	1200	79	100	120		●
H100	60°	1200	117	89	80	✓	●
H120	0°	1200	79	120	140		●
H120	60°	1200	127	107	100	✓	●

● madera | bois | timber

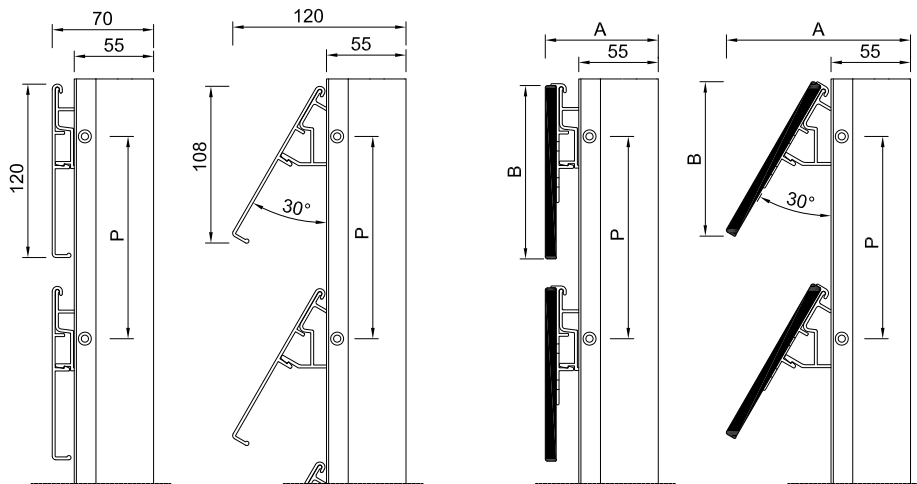
● hpl | hpl | hpl

● aluminio | aluminium | ALUMINIUM

# LCF - combi

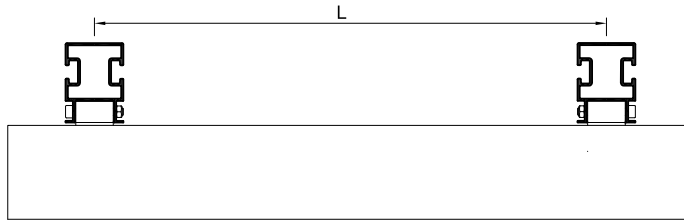
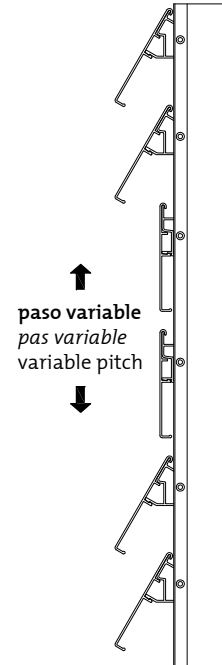
ALU HPL Madera | ALU HPL bois | ALU HPL timber

protección solar continua | *protection solaire filante* | continuous solarshading



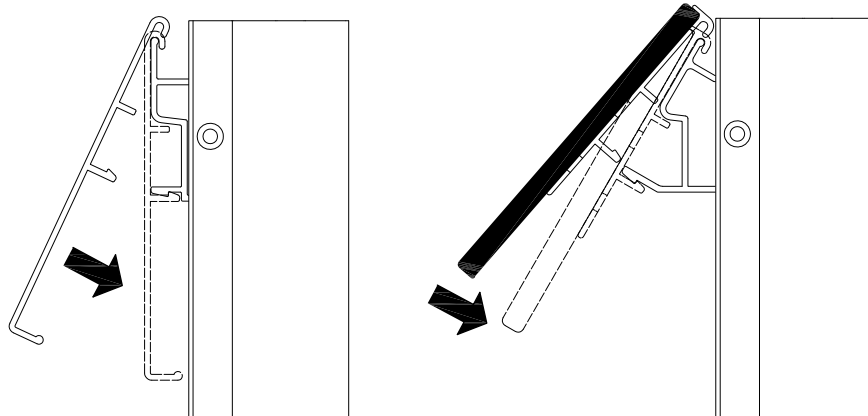
cotas principales | *dimensions principales* | main dimensions

posible combinación de 2 posiciones  
*combinaison possible de 2 positions*  
possible combination of 2 positions

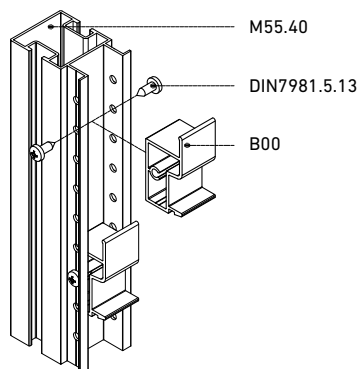
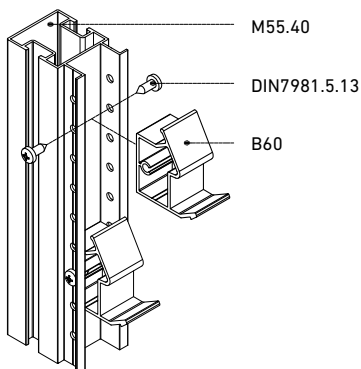


detalle de montaje de lamas | *détail de l'assemblage de lame* | detail of the blade assembly

¡ colgar & clipar !  
*¡ raccrocher & clipsé !*  
hang up & clipped !



detalle de montaje de soportes  
*détail de l'assemblage des supports*  
detail of the assembly of supports



detalle de montaje de clip soporte  
*détail de l'assemblage de clip supports*  
detail of the assembly of clip supports

